

users guide

Classic

Your Ideal users guide

FF 350P - 380P

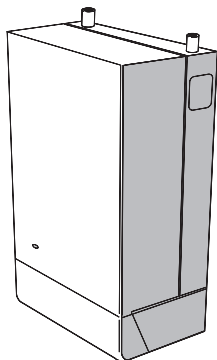
When replacing a part on this appliance use only spare parts that you can be assured conform to the safety and performance specification that we require. Do not use reconditioned or copy parts that have not been clearly authorised by Ideal Boilers.

i **Ideal** BOILERS
ENGINEERED FOR PEACE OF MIND

CLASSIC FF

(Propane Gas Models Only)

Classic	G.C. No
FF 350 P	41 392 06
FF 360 P	41 392 07
FF 380 P	41 392 08



Introduction

It is essential that the instructions in this booklet are strictly followed, for safe and economical operation of the boiler.

Gas Safety (Installation & Use) Regulations or rules in force.

In your own interest, and that of safety, it is the law that this boiler must be installed by a CORGI registered installer or in IE a competent person, in accordance with the above regulations.

Electricity Supply

This appliance must be efficiently earthed.
Supply: 230 V ~ 50 Hz. The fusing should be 3A.

Connection must be made in a way that allows complete isolation of the electrical supply such as a double pole switch having a 3mm (1/8") contact separation in both poles, or a plug and socket, serving only the boiler and system controls. The means of isolation must be accessible to the user after installation.

Important notes

- This appliance must not be operated without the casing correctly fitted and forming an adequate seal.
- If the boiler is installed in a compartment then the compartment MUST NOT be used for storage purposes.
- The ventilation provided for the boiler during installation MUST NOT be blocked, and a check should be made periodically that the ventilation areas are free from any obstruction.
- If it is known or suspected that a fault exists on the boiler then it MUST NOT be used until the fault has been corrected by a CORGI registered installer or in IE a competent person.
- Inflammable materials must not be placed in close proximity to the appliance. Materials giving off flammable vapours must not be stored in the same room as the appliance.
- Under NO circumstances should any of the sealed components on this appliance be used incorrectly or tampered with.
- Where the boiler is fitted with a Vertex Flue System with a draught diverter in the loft, the loft space MUST NOT be used as a dwelling area.

Minimum clearances

A clearance of 533mm (21") MUST be available at the front of the boiler for servicing.

The minimum clearances given below MUST be complied with in order to maintain the safe running of the boiler and to facilitate servicing.

Above the boiler	100 mm	(4")
At each side of the boiler	5 mm	(1/4")
Underneath the boiler	100 mm	(4")
In front of the boiler	450 mm	(17 3/4")

To light the boiler. Refer to Frame 1

- CHECK THAT THE ELECTRICITY SUPPLY TO THE BOILER IS OFF.
- Open the controls access door by hinging downwards.
- Ensure that the gas service cock (D) is OPEN.
- Press the overheat reset button (E), located as shown in Frame 1.
- Ensure that the mains on/off switch (C) is in the OFF position.
- Switch ON the electricity supply to the boiler. Check that all external controls, e.g. room thermostat etc., are ON.
- Turn the boiler thermostat knob (B) to position 6 and the mains on/off switch (C) to ON. After about 15 seconds the boiler will light automatically - this can be viewed through the sight glass (A).
Set the boiler thermostat to the desired position.
- Close the controls access door.

In **winter conditions**, i.e. central heating and domestic hot water, the thermostat should be set at position 5 or 6.

For **summer conditions**, i.e. domestic hot water only, the thermostat should be set at position 3.

These settings, however, are offered for general guidance only and other settings may be found preferable, dependent upon the type of system installed or as recommended by the installer.

Approximate flow temperatures for the boiler thermostat settings are:

Knob Setting	Flow Temperature	
	°C	°F
1	56	133
2	61	142
3	66	152
4	72	161
5	77	170
6	82	180

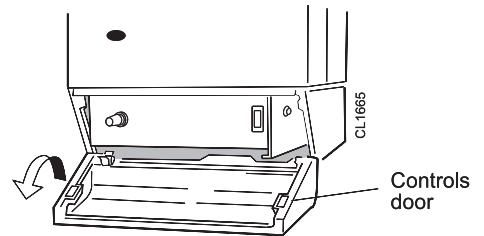
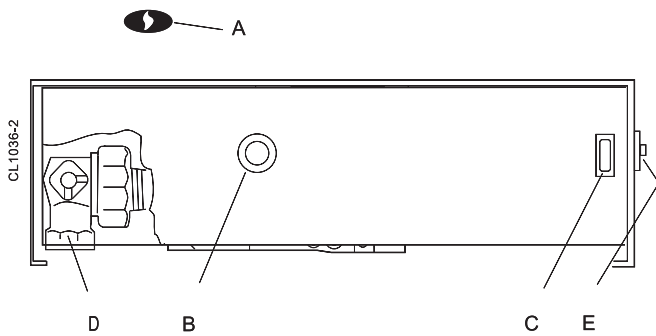
To shut down the boiler

- For short periods:** Turn the boiler on/off switch (C) to OFF. When heating is again required, restore the switch to ON.
- For longer periods:** Turn the boiler on/off switch (C) to OFF. Switch the electricity supply to OFF.

CAUTION. To avoid the possibility of injury during the installation, servicing or cleaning of this appliance care should be taken when handling edges of sheet steel components

1 BOILER CONTROLS

View inside boiler controls area



LEGEND

- A Sightglass
- B Thermostat knob
- C Mains on/off switch
- D Gas service cock (shown in the OPEN position)
- E Overheat thermostat reset button

Frost protection

If no frost protection is provided and frost is likely during a short absence from home, leave the heating controls at a reduced temperature setting.

For longer periods, the entire system should be drained - including the domestic water supply. If the system includes a frost thermostat then, during cold weather, the boiler should be turned OFF at the time switch(es) ONLY. The mains supply should be left switched ON, with the boiler thermostat left in the normal running position.

Boiler Overheat Thermostat

The boiler is fitted with a safety 'cutout' thermostat. This will shut down the boiler in the event of overheating. Should this occur allow the boiler to cool, press the reset button (E) then relight as detailed in steps 1-8 in 'To light the boiler'.

If the cutout condition still persists turn off the boiler and consult a CORGI registered installer or in IE a competent person.

Control of water temperature

1. Adjust the boiler thermostat (B) to give the required temperature for central heating.
2. The boiler thermostat automatically switches the main burner OFF and ON to maintain the selected temperature.

To relight the boiler

Repeat the procedure 1 - 8, detailed in 'To light the boiler'.

Loss of system water pressure

Boilers fitted with Classic Sealed System Units only

If the red arrow on the unit pressure gauge is set above zero and the system pressure is seen to fall below this value over a period of time then a water leak is indicated. In this event a CORGI registered installer or in IE a competent person should be consulted.

DO NOT OPERATE THE BOILER IF THE PRESSURE HAS REDUCED TO ZERO FROM THE ORIGINAL SETTING.

Escape of gas

Should a gas leak be suspected contact your local gas supplier without delay.

Do NOT search for gas leaks with a naked flame.

Cleaning

For normal cleaning simply dust with a dry cloth. To remove stubborn marks and stains, wipe with a damp cloth and finish off with a dry cloth.

Do NOT use abrasive cleaning materials.

Maintenance

The appliance should be serviced at least once a year by a CORGI registered installer or in IE a competent person.

THE GAS SAFETY (INSTALLATION AND USE) REGULATIONS, STATUTORY INSTRUMENT 1994, NO. 1886, AND AMENDMENTS 1996, IMPOSE CERTAIN LEGAL OBLIGATIONS ON GAS USERS.

Changing gas cylinders

- a. Ensure that the replacement gas cylinder is the correct one for the installation.
- b. Extinguish any fire, flame or source of ignition (including cigarettes, pipes and pilot lights) before changing the gas cylinders.
- c. Change cylinders with caution.
- d. Ensure that the gas cylinder valve(s) is/are closed before disconnecting an empty cylinder or before removing any plastic cap or plug on the outlet connection of the replacement cylinder.

Never use tools on cylinder valves, hand wheels or levers.

Note. Cylinders with threaded connections have a left hand thread. For cylinders with self-sealing clip-on valves, ensure that the regulator tap is closed before disconnection.

All CORGI registered installers carry a CORGI ID card, and have a registration number. Both should be recorded in your **Benchmark** Log Book. You can check your installer by calling CORGI direct on 01563 72300

THE LOG BOOK SHOULD BE COMPLETED AFTER EACH SERVICE AND KEPT WITH THESE INSTRUCTIONS



- e. Ensure that the replacement cylinder connections are gastight. Any leaking vapour will have a distinctive odour. Test by using leak detection solution around the connections - bubbles will form if vapour is leaking.

NEVER USE A NAKED FLAME

- f. It is essential that the correct pressure regulator, with the correct pressure setting and capacity for the installation, is used in accordance with the manufacturer's instructions.
- g. In the case of a connection on a pressure regulator or gas appliance which relies upon a sealing washer to maintain a gastight joint, it is essential to check that the washer is present and that it is sound and correctly positioned prior to making the connection. Where the connection relies on a metal-to-metal seating or bullnose connection to obtain a gastight joint, it is essential that the mating surfaces be clean and undamaged.

Under no circumstances should a damaged valve or connection be used.

- h. Where connections are designed to be tightened with a spanner, it is essential that a spanner of the correct size is used and that the union is firmly tightened - hand tightness is not sufficient.

When self sealing valves are incorporated in a gas cylinder, connection should be made in accordance with the manufacturer's instructions and tools should not be used.

- i. If the continuation of supply is interrupted when a cylinder is changed, it is essential that all appliance taps are turned off before the change is made.
- j. With bulk storage tanks always ensure that the site is kept clean and clear of rubbish. Such vessels are designed to be filled on site by the gas distributors.

EMERGENCY ACTION

GAS LEAK

(usually detected by a distinctive smell)

DO NOT use electrical switches

DO NOT look for a leak with a naked flame

IMMEDIATE ACTION:

- CLOSE all supply valves.
- EXTINGUISH all sources of ignition.
- Open all doors and windows.
- If leakage cannot be stopped REMOVE CYLINDERS to a safe place in the open air and advise the supplier. If this is not possible, evacuate the premises and call the fire brigade.
- Do not use the installation until it has been checked by a CORGI registered installer or in IE a competent person.

EMERGENCY ACTION

FIRE

IMMEDIATE ACTION:

IF SAFE TO DO SO, SHUT OFF THE GAS SUPPLY

Do not attempt to extinguish gas flame by any other means.

Raise the alarm and call the fire brigade stating that a liquefied petroleum gas cylinder is involved, and give its location.

DO NOT GO NEAR A CYLINDER if a cylinder is being heated by fire.

ALERT EVERYONE in the immediate area of the fire and evacuate the building.

ADVISE THE FIRE BRIGADE on their ARRIVAL of the LOCATION of the cylinder.

If a cylinder is not involved in the fire and it is **SAFE TO DO SO**, close all cylinder valves and remove the cylinders to a safe place.



The code of practice for the installation, commissioning & servicing of central heating systems

Caradon Ideal Limited. is a member of the Benchmark initiative and fully supports the aims of the programme. Benchmark has been introduced to improve the standards of installation and commissioning of central heating systems in the UK and to encourage the regular servicing of all central heating systems to ensure safety and efficiency.

Ideal Boilers, P.O. Box 103, National Ave, Kingston upon Hull, HU5 4JN. Telephone: 01482 492 251 Fax: 01482 448 858. Registration No. London 322 137.

Caradon Ideal Limited pursues a policy of continuing improvement in the design and performance of its products. The right is therefore reserved to vary specification without notice.

i Ideal BOILERS
ENGINEERED FOR PEACE OF MIND

March 2003

UIN 157366 A02

Caradon
Ideal Limited

Ideal Consumer Helpline Tel: 01482 498 660
www.idealboilers.com